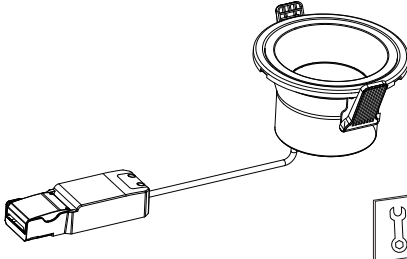

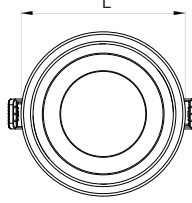
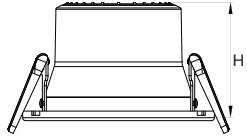
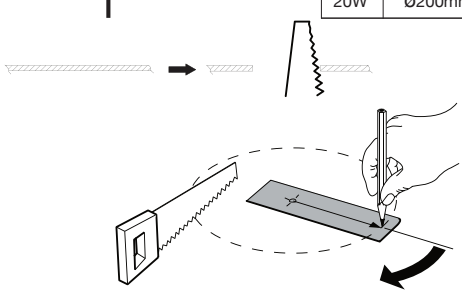


Content:  x1  x1										Dimension: *Dimensions in mm  					
EAN	W	lm	K	CRI	Ta (°C)	V	Hz	Dim	g	L	H	Inrush Current			
8719157034968	9	1170	3000	80	-20~+40	220-240	50/60	No	350	ø145	89	Driver	9W	20W	
8719157034975	9	1170	3000	80	-20~+40	220-240	50/60	No	350	ø145	89	Inrush current peak(A)	18A	18A	Input Voltage 230V
8719157034982	9	1170	4000	80	-20~+40	220-240	50/60	No	350	ø145	89	Inrush current width(µs)	350µs	400µs	Input Voltage 230V, measured 50% Ipeak
8719157034999	9	1170	4000	80	-20~+40	220-240	50/60	No	350	ø145	89	Circuit Breaker			
8719157035002	20	2500	3000	80	-20~+40	220-240	50/60	No	660	ø220	140	Item	9W	20W	
8719157035019	20	2500	3000	80	-20~+40	220-240	50/60	No	660	ø220	140	B16	42pcs	32pcs	
8719157035026	20	2500	4000	80	-20~+40	220-240	50/60	No	660	ø220	140	C16	72pcs	51pcs	
8719157035033	20	2500	4000	80	-20~+40	220-240	50/60	No	660	ø220	140				

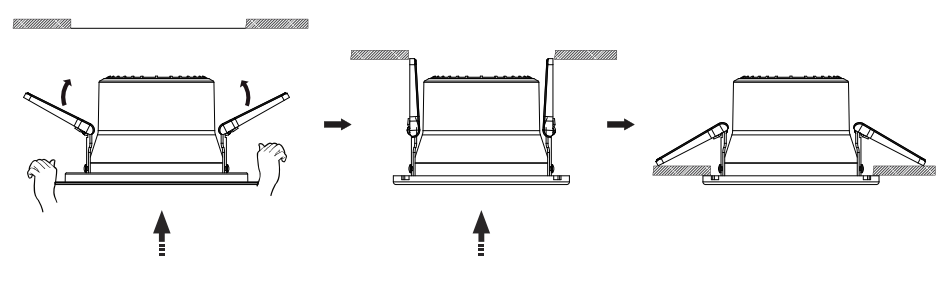
Installation:

Type	Cut-out size
9W	Ø120mm
20W	Ø200mm

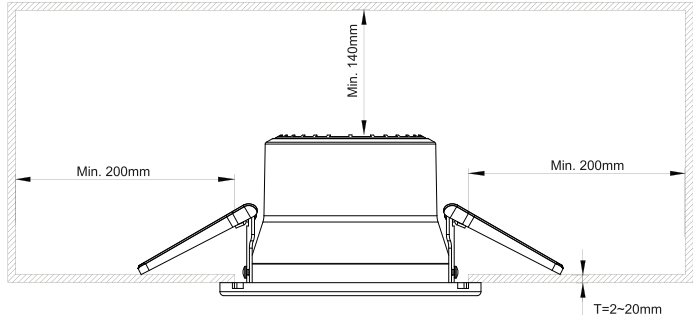
1



2



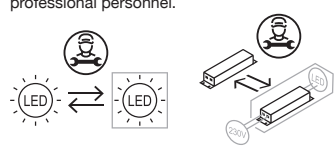


3

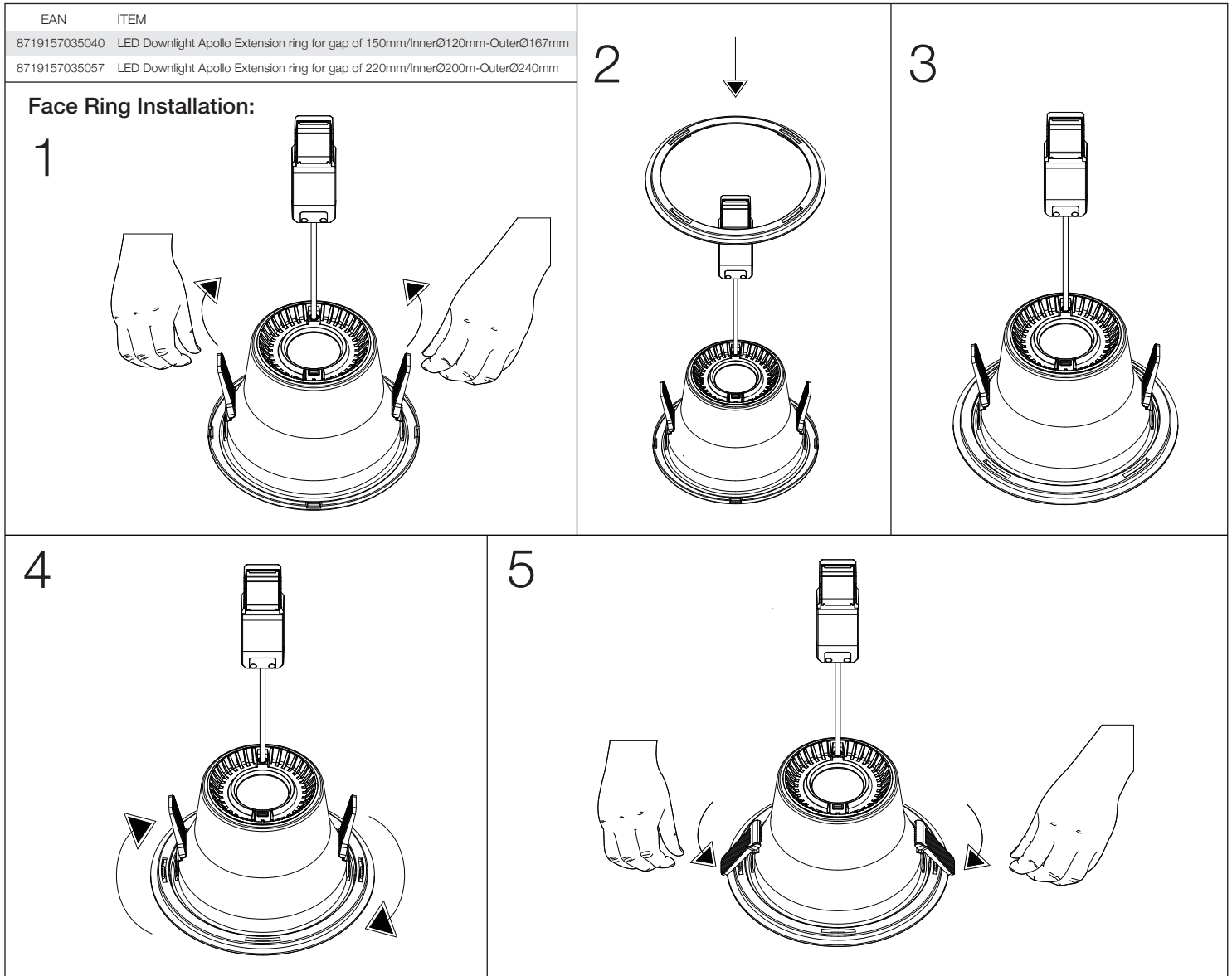


RISK OF FIRE - Required clearance from structural members and building elements.
 SCB=200mm MIC=0mm HCB=140mm SCI=0m
 (1) HCB (Height clearance to building element)
 (2) MIC (Minimum insulation clearance)
 (3) SCB (Side clearance to building element)
 (4) SCI (Side clearance to insulation)

WARNING - Risk of overheating or fire if the clearance distances are compromised.

- | | |
|---|--|
|  <ol style="list-style-type: none"> The luminaire must be installed by a qualified electrician and wired in accordance with the local wiring regulations. For indoor use only. Do not switch on before complete installation. If the external flexible cord of this luminaire is damaged, it shall be exclusively replaced by the manufacturer or his service agent or a similar qualified person in order to avoid a hazard. The light source of this luminaire is not replaceable; when the light source reaches its end of life the whole luminaire shall be replaced. The supply cord and cable provided with the luminaire is intended for indoor use only. Luminaire must not be used or stored in corrosive environment where hazardous materials such as Sulphur, Chlorine, Phthalates, etc. are present. |  <p>This product is equipped with a LED light source that can only be replaced by authorised professionals.</p> <p>This product have a control gear that can only be replaced by authorised professional personnel.</p>  |
|---|--|

Accessories (must be ordered separately)



EN The luminaire shall be installed and maintained by a qualified electrician, in accordance with the national regulations in each country. The luminaire contains no replaceable parts. In case of the luminaire is damaged, it shall be exclusively replaced by the manufacturer or authorized dealer. Keep the operating manual for later use. The manufacturer is not responsible for the incorrect use and assembly of this product.

NL De armatuur dient te worden geïnstalleerd en onderhouden door een erkend installateur, in overeenstemming met de nationale regelgeving in het betreffende land. De armatuur bevat geen vervangbare onderdelen. Indien de armatuur is beschadigd dient deze enkel te worden vervangen door de fabrikant of door een erkende dealer. Bewaar de handleiding voor later gebruik. De fabrikant is niet verantwoordelijk voor onjuist gebruik en/of installatie van dit product.

DE Die Leuchte muss von einem qualifizierten Elektriker gemäß den nationalen Vorschriften in jedem Land installiert und gewartet werden. Die Leuchte enthält keine austauschbaren Teile. Falls die Leuchte beschädigt ist, wird sie ausschließlich durch den Hersteller oder den autorisierten Händler ersetzt. Bewahren Sie die Bedienungsanleitung für spätere Verwendung auf. Der Hersteller ist nicht verantwortlich für die unsachgemäße Verwendung und Montage dieses Produktes.

FR Le luminaire doit être installé et entretenu par un électricien qualifié, conformément à la réglementation nationale de chaque pays. Le luminaire ne contient pas de pièces remplaçables. Dans le cas où le luminaire est endommagé, il doit être remplacé exclusivement par le fabricant ou le revendeur agréé. Conservez le mode d'emploi pour une utilisation ultérieure. Le fabricant n'est pas responsable de l'utilisation et du montage incorrects de ce produit.

IT L'apparecchio deve essere installato e mantenuto da un elettricista qualificato seguendo le normative nazionali di riferimento. L'apparecchio non contiene parti sostituibili. In caso di rottura sarà sostituito esclusivamente dal produttore o da un rivenditore autorizzato. Conservate il manuale di installazione per eventuali utilizzi successivi. Il produttore non è responsabile per l'utilizzo ed il montaggio non corretto di tale apparecchio.

ES La luminaria debe de ser instalada y mantenida por un electricista cualificado, siguiendo las regulaciones nacionales de cada país. La luminaria contiene partes no reemplazables. En el caso de que la luminaria sea dañada, deberá ser reemplazada exclusivamente por el fabricante o distribuidor autorizado. Guarde el manual para usos posteriores. El fabricante no es responsable por el uso e instalación incorrecta de este producto.